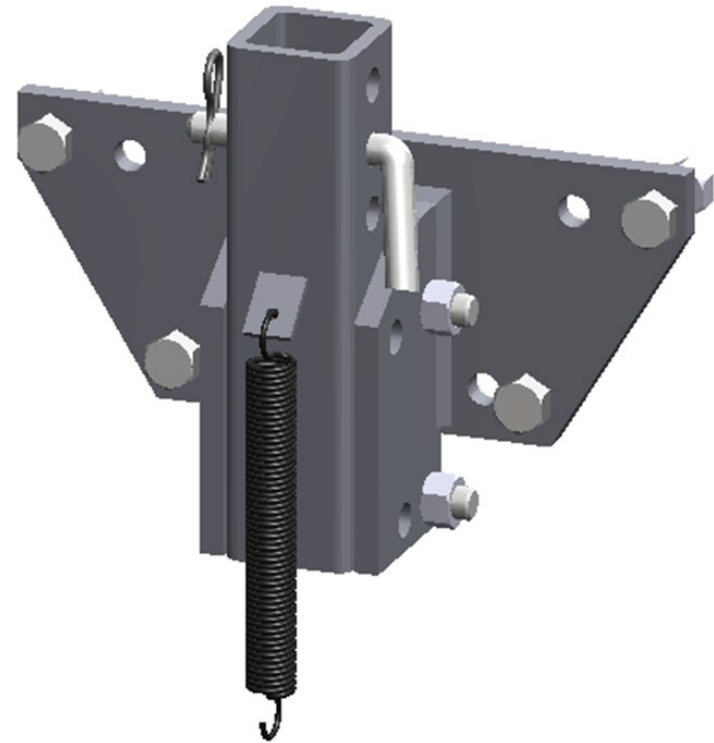


# MT772



## MOUNTING BRACKET

### Installation Instructions



#### **Martin Planter Attachments**

**Martin Industries LLC**

206 Elk Fork Road

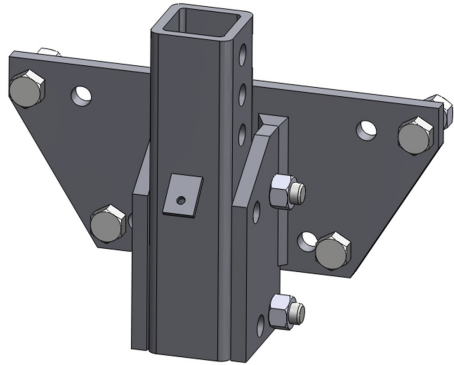
Elkton, KY 42220

Telephone: 270-265-5817

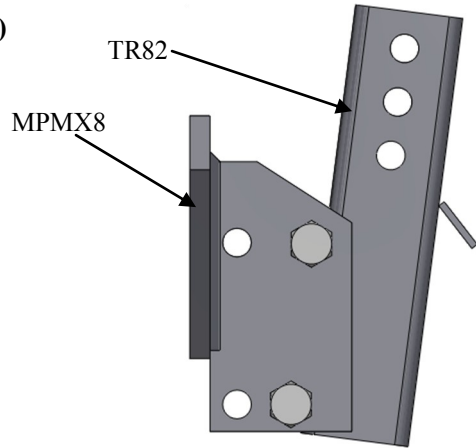
E-Mail: [martin@martinandcompany.com](mailto:martin@martinandcompany.com)

[www.martinandcompany.com](http://www.martinandcompany.com)

(A)

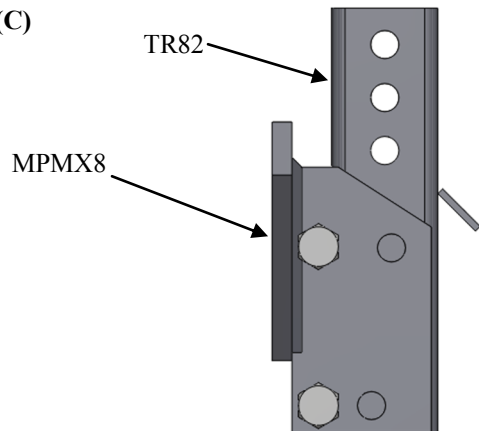


(B)



Forward position for planters with lower arm braced in rear position.  
(Late DEERE AND KINZE)

(C)

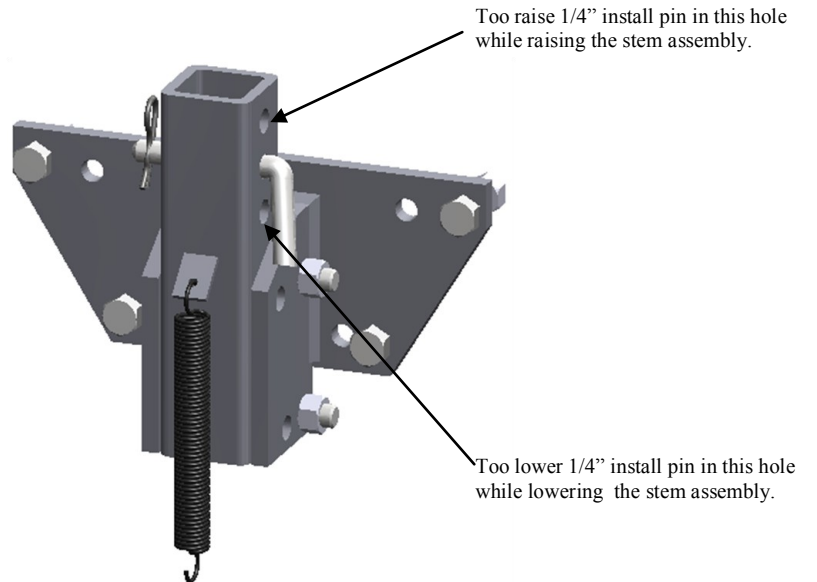


Rear position for planters with lower arm braced in mid position (Early DEERE AND KINZE)

### Installation Instructions for MT772

- 1) Attach MPMX8 Mounting Plate to planter unit, using the four 1/2" X 1 1/2" Hex Bolts and the four 1/2" Flanged Lock Nuts.
- 2) Using the two 1/2" X 3 1/2" Hex Bolts and the two 1/2" Nyloc Nuts. Install the TR82 Receiver Tube between side plates on the MPMX8 Mounting Plate. See illustrations B and C for correct mounting location.

The receiver tube has three holes in which the bent pull pin can be used to achieve adjustment in 1/4" increments.



### HARDWARE:

- |                           |       |
|---------------------------|-------|
| 1) 1/2" X 1 1/2" Hex Bolt | qty 4 |
| 2) 1/2" Flange Lock Nut   | qty 4 |
| 3) 1/2" x 3 1/2" Hex Bolt | qty 2 |
| 4) 1/2" Nyloc Nut         | qty 2 |
| 5) 1/2" Bent Pull Pin     | qty 1 |
| 6) Spring                 | qty 1 |
| 7) Safety Pin             | qty 1 |